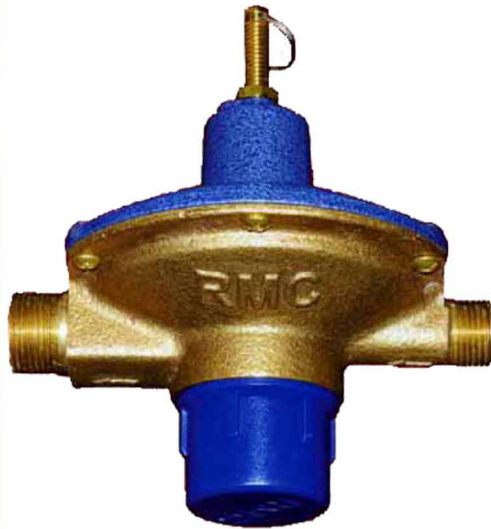
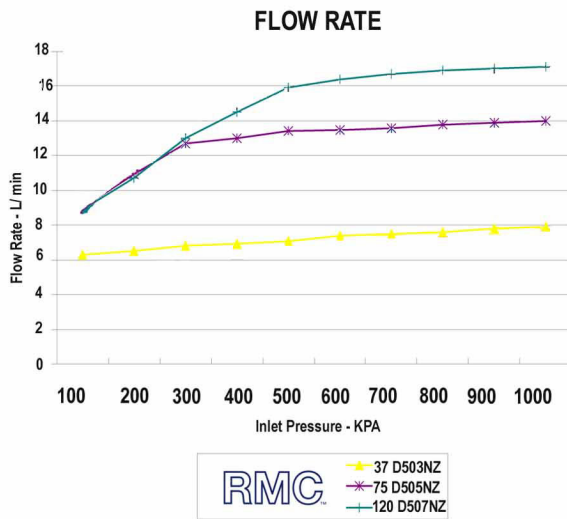


LOW PRESSURE REDUCING VALVE



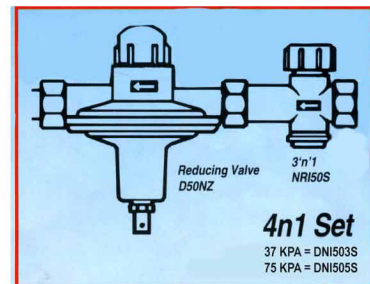
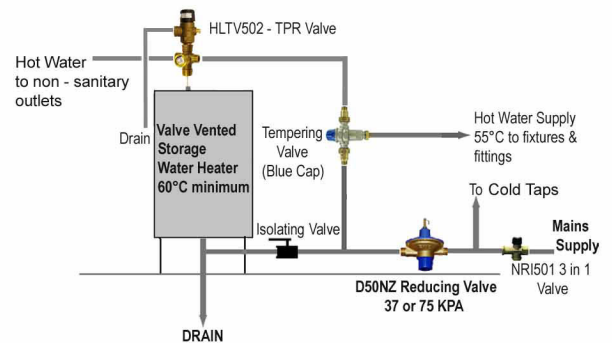
Specifications:

- ❖ Thermosyphon loop no longer required on side entry cylinders.
- ❖ Pressure compensated to give constant low pressure setting regardless of inlet pressure increases.
- ❖ Pressure settings (Nominal): 3.7m and 7.6m.12.0m. Fully adjustable.
- ❖ Gauranteed for five years.
- ❖ Complies with NZS 4608



Inlet Pressure-Kpa	SET THE OUTLET PRESSURE		
	37 - RMC	75 - RMC	120 - RMC
100	6.3	9	8.9
200	6.5	10.9	10.7
300	6.8	12.7	13
400	6.9	13	14.5
500	7.1	13.4	15.9
600	7.4	13.5	16.4
700	7.5	13.6	16.7
800	7.6	13.8	16.9
900	7.8	13.9	17
1000	7.9	14	17.1
2000(290Psi)	9.5	15.2	18.1

FOR LOW PRESSURE VALVE VENTED WATER HEATER



PRODUCT CODES:

- 37 KPA = D503NZ**
- 75 KPA = D505NZ**
- 120 KPA = D507NZ**