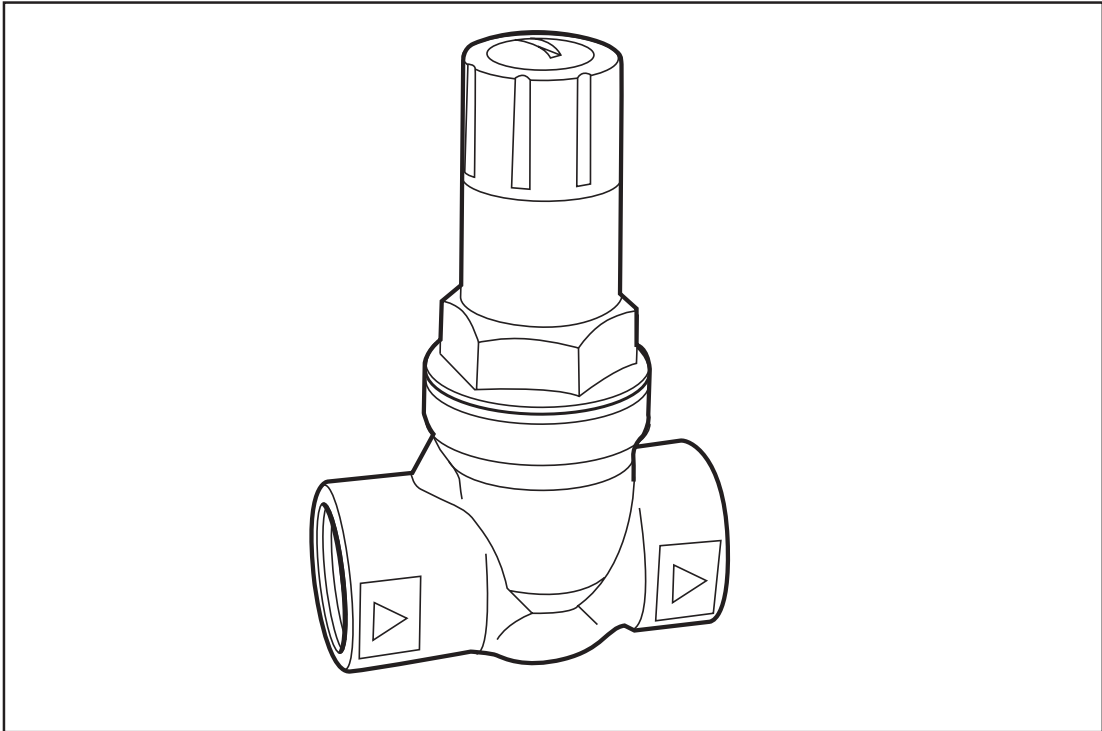




## 312H Series Pressure Reducing Valves



A range of economy domestic / light commercial quality pressure reducing valves.

### Product Features and Benefits

- **Economy Pressure Reducing Valves** (without pressure gauge points).
- 1/2" and 3/4" models to **regulate downstream pressure to set maximum.**
- **Adjustable outlet pressure**, 0.5 to 5 bar.
- **Multi media applications** (water, light oil etc.).
- Single piece cartridge design for **ease of service and replacement.**
- **Field serviceable strainer.**
- **High quality stamped DZR brass body.**

✓ WRAS approved.

# 312H Series Pressure Reducing Valves

## Description

A range of economy domestic / light commercial quality pressure reducing valves, suitable for various applications at temperatures up to 40°C (60°C for 1 hour max.)

The valves are designed for low pressure drop, so minimising noise levels. The pressure-balanced diaphragm construction and drop-tight design also ensures constant outlet pressure is maintained across all flow rates, and no-flow conditions.

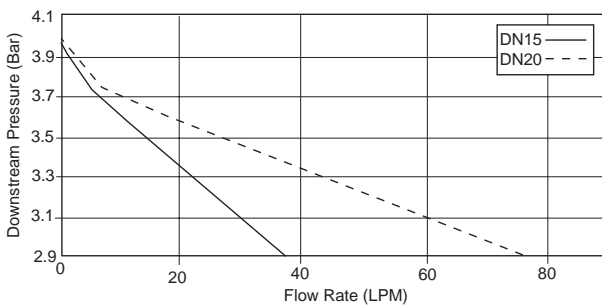
All models feature cartridge construction, fully serviceable strainer and female BSP connections for ease of installation and maintenance and are suitable for use with warm water, fuel oil, compressed air, neutral gases and neutral non-sticking liquids.

## Product Range

PRED 310 615 1/2" 312H Pressure Reducing Valve  
 PRED 310 620 3/4" 312H Pressure Reducing Valve

## Flow Characteristics

The graph below shows the flow from a valve set at 4.0bar outlet pressure with zero flow. As outlets are opened downstream, the pressure decreases and the flow increases accordingly.



## Materials

Body: Stamped DZR brass  
 Diaphragm: Polyamid cloth reinforced EPDM elastomer  
 Strainer: Stainless steel  
 Cartridge: Engineering polymer (non hydroscopic)  
 Seat disc: Low compression set EPDM elastomer

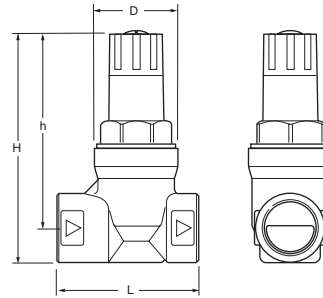
## Standards

EN 1567

## Approvals

WRAS Certificate Nos.: 1/2" 9602022, 3/4" 9602021

## Dimensions



ØA	L	D	H	h
1/2"	64	38	107	90
3/4"	64	38	107	94

All dimensions are in mm unless stated

## Specifications

Test pressure: 25 bar (body only)  
 Working pressure: 16 bar max  
 Adjustable set pressure: 0.5 - 5.0 bar  
 Pressure reduction ratio: 10:1 max.  
 Working temperature: 40°C (60°C max. for 1 hour)

## How to Specify

WRAS listed, female threaded pressure reducing valve with full flow strainer and all working components contained in a cartridge form (select appropriate range code).

## Guarantee

All Reliance® products undergo strict performance tests prior to despatch, and are guaranteed against faulty materials and workmanship for one year from date of purchase. This is in addition to any statutory rights.

Contacts:	Sales Enquiries	Technical Support
Telephone:	+44 (0)1386 712400	+44 (0)1386 47148
Fax:	+44 (0)1386 47028	+44 (0)1386 422217
E-Mail:	sales@rwc.co.uk	technical@rwc.co.uk



**Reliance Water Controls®**  
 Worcester Road, Evesham, Worcestershire, WR11 4RA, UK  
 Tel: +44 (0)1386 47148 Fax: +44 (0)1386 47028 www.rwc.co.uk

