

HJ COOPER
HOT WATER

MAINS PRESSURE WATER HEATING

Duplex Stainless Steel Premium Range



HJ COOPER MAINS PRESSURE DUPLEX STAINLESS PREMIUM RANGE

THE INSIDE STORY

HJ Cooper mains pressure cylinders are at the forefront of water heating technology. Every unit in our mains pressure range has been developed for superior energy efficiency and engineered for robust, trouble free, year on year performance. Incorporating leading edge water heating and temperature control technology, the range is manufactured to rigorous quality standards. The result is a new benchmark in mains pressure water heating designed to meet the harshest New Zealand conditions and water supplies. Our mains pressure range is constructed from high grade Duplex stainless steel which provides superior corrosion resistance. In addition, the tungsten inert gas welding coupled with the special post weld processes ensure the longest possible working life for every cylinder. The combination of lightweight, strength and robust construction makes HJ Cooper mains pressure cylinders the ideal solution for all your storage water heating applications.



- 1 20mm / 3/4" BSP hot water outlet.
- 2 20mm / 3/4" BSP cold water inlet incorporating unique dip tube which allows cold water to be taken right to the bottom of the tank.
- 3 15mm / 1/2" BSP temperature and pressure relief valve port. Heater supplied with TPR valve factory set to 850kPa and 90°C.
- 4 Long - life Incoloy 825 immersion element. Unique curved design ensures 98% of water is heated. 2 or 3KW options available.
- 5 Optional booster element, 250 & 300L models only.
- 6 Inner tank manufactured from duplex stainless steel - specially selected for its high strength and resistance to stress and crevice corrosion.
- 7 Totally Insulated with 50mm CFC-free polyurethane foam. Compliant with New Zealand MEPS standard.
- 8 Product label containing information on dimensions, serial number, date of manufacture etc.
- 9 15mm / 1/2" BSP Solar Ready Eco inlet 180, 250 & 300L models only.
- 10 Outer case made from high quality galvanised steel.
- 11 High density plastic moulded element and thermostat covers.
- 12 Convenient range of capacities from 135 to 300L.

* Diagram is based on the 250 and 180L models.

** All cylinders come with element key and comprehensive installation and warranty booklet.

HJ COOPER MAINS PRESSURE PREMIUM RANGE

SPECIFICATION

Capacities

135, 180, 250 and 300 Litre.

Working Pressure

850 kPa

Element

Long-life Incoloy 825 alloy sheathed element, incorporated into an easily removable heater plate, should replacement be necessary. 2, 3 and 4.8kW options available.

Thermostat

Robertshaw - 30 Amp Rated Contact Thermostat. Upgradeable for Solar Applications.

Outer casing

Galvanised Steel.

Thermal insulation

CFC-free polyurethane foam, compliant with MEPS standard.

Inner tank

Duplex Stainless Steel.

Pressure testing

To 15 bar.

Safety features

All models:
Temperature and pressure relief valves, factory set to 850kPa and 90°C. Manually resettable cut-out, set at 85°C

Anode

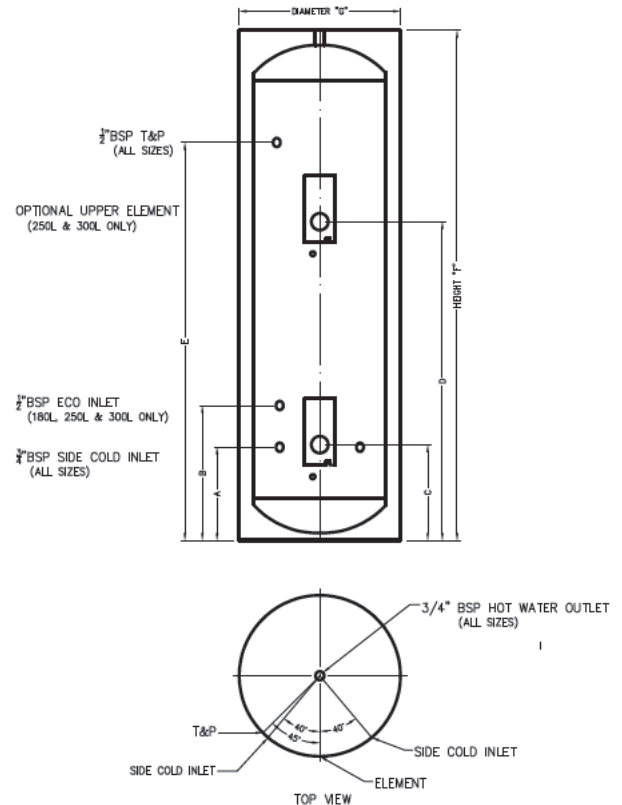
Not required.

Approvals

Tested in an IANZ approved laboratory MEPS standards. Manufactured in an ISO9001:2000 registered factory.

Warranty

10 years, conditions apply - Please see warranty booklet included with product.



	A (mm)	B (mm)	C (mm)	D (mm)	E (mm)	F (mm)	G (mm)
135 L	310	N/A	325	N/A	690	1023	ø550
180 L	310	460	325	N/A	970	1295	ø550
250 L	310	460	325	1080	1410	1730	ø550
300 L	310	460	325	1380	1725	2047	ø550

ORDERING GUIDE

Product Code	Capacity	Dia "A" (mm)	Height "B" (mm)	Element Rating kW	Weight Empty*	Twin Element Option**	Solar Ready
MP135	135	550	1023	1 x 3	29kg		
MP1351	135	550	1023	1 x 2	29kg		
MP180	180	550	1292	1 x 3	35kg		•
MP1801	180	550	1292	1 x 2	35kg		•
MP250	250	550	1726	1 x 3	45kg	•	•
MP2501	250	550	1726	1 x 2	45kg	•	•
MP300	300	550	2047	1 x 3	53kg	•	•
MP3001	300	550	2047	1 x 2	53kg	•	•

* Weights are nominal

** A second element boss is supplied blanked off for an optional booster element if required.

For additional element kit, order code is CMPEPAU

HJ COOPER

MADE TO LAST. END OF STORY

PRODUCTS

Classic Range Copper Low Pressure hot water cylinders

Premium Range Duplex Stainless Steel Low Pressure hot water cylinders

Classic Range Enamel Lined Mains Pressure hot water cylinders

Premium Range Duplex Stainless Steel Mains Pressure hot water cylinders

Custom made hot water cylinders

Dairy hot water cylinders

Boiling Water Units | Supreme | Boil & Brew

Sunfuel Solar Systems

CONTACT

HJ COOPER
130 St Georges Road
Avondale
Auckland
p. 09 828 6852
f. 09 828 4134
info@hjcooper.co.nz
www.hjcooper.co.nz

A nationwide network of experienced HJ Cooper service agents is available to provide on site service support if required. Spare parts for HJ Cooper products are readily available through a network of stockists.



HJ Cooper is a company with unremitting focus on superior product performance and unmatched durability. Behind every one of our hot water systems is a century of committed New Zealand craftsmanship, leading-edge technology and continuing product innovation. Our products may change, but our standards do not. When we put our name to something, you can rely on it.

The pace of product development is such that we reserve the right to change product specifications without notice. We do however, strive to ensure that all information in this brochure is accurate at the time of going to publication.