

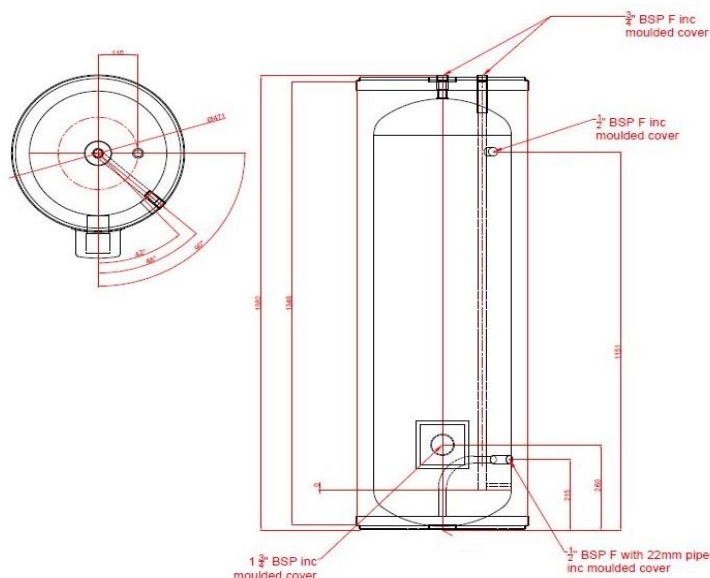
PTPC135

Protank Plus 135L with Valve Set



Technical Specification

- Manufactured by Whitewolf
- Country of origin UK
- Pressure Ratings
- TPR Setting 700 kPa
- Cold water expansion setting 600 kPa
- Maximum supply setting 500 kPa
- Factory supply set point 300 kPa



Superseded Product

PTC180 Protank 180L

Approvals

MEPS registration: 138652

Warranty

5 Years parts and labour + 5 years parts only + 10 years Pro-rata

Features

DESIGNED SMART IN NEW ZEALAND - BUILT TOUGH IN BRITAIN.

Protank Plus has been developed to meet the needs of those home owners wanting a high capacity, high pressure hot water system that is going to last. The internal tank and fittings are crafted from the highest possible spec 'Duplex' 2304 stainless steel and performance matched to Caleffi's latest high flow valve set.

- 135L, 3kW
- 1380mm x 475mm (dimension of tank)
- Designed for indoor installation mains pressure domestic hot water systems
- Models with valve set include: Protank hot water cylinder, Caleffi 'direct mount mono-block' combo set, Caleffi TPR valve, Heatrod element(s) and thermostat
- 20 year Protank limited warranty (see specification sheet for more info)