

# Pressure and Temperature Relief Valves

## Scope of Use / Specification Sheet

RMC's Pressure and Temperature (P&T) Relief Valves are safety controls for unvented water heaters. They ensure that the pressure and temperature of the water do not exceed 99°C in the event the normal thermostatic controls fail.

### Product Code

Model	Size	Product Code				
		500kPa	700kPa	850kPa	1000kPa	1400kPa
HT55	15mm	HT501	HT503	HT505	HT507	HT511
HTE55-1	15mm	-	HTE501	HTE502	HTE504	HTE506
HTE55-2	15mm	-	-	HTE509	HTE511	HTE513
HTT55-1	15mm	-	HTT515	HTT516	HTT517	HTT518
HT575	20mm	HT701	HT703	HT705	HT707	HT711
HTE575-1	20mm	-	-	HTE701	HTE703	HTE705
HTE575-2	20mm	-	-	HTE710	HTE709	-

### Materials

Body	Cast Gunmetal
Internal Parts	Brass and Polysulfone
Seat Disc	Silicone Rubber Compound
Pressure Spring	Stainless Steel
Thermal Element	Wax-based
Aux. Pressure Relief Device	Nylon

### Description

These valves may be used to guard against over-heating and over-pressure hazards wherever water is stored in unvented containers. This is a requirement of Australian Standard AS/NZS 3500-4.

RMC P&T Relief Valves are available in 15mm and 20mm configurations.



HT511

### Features and Benefits

- Auxiliary pressure relief device
- Prevents pressure building up in the event of a blockage in the drain line
- Female BSP thread on outlet thread prevents incorrect installation to the tank
- Plastic coated temperature probe prevents electrolysis of the probe outer casing
- Dezincification resistant
- Meets Australian Standard for potable water supply
- Sealed spring cavity prevents spring from seizing in the event of calcification
- Suitable for horizontal or vertical installation
- Individually tested and calibrated
- Every valve is tested to ensure high quality and performance

### Standards and Approvals



AS 1357.1  
LIC WMKA 0938  
SAI GLOBAL

# Pressure and Temperature Relief Valves

## Technical Specifications

Model	Inlet (M) mm	Outlet (F) mm	Hot water take-off (compression)	kW Capacity	Max Temp.
HT55	R½	G½		10 kW	99°C
HTE55-1	R½	G½		10 kW	99°C
HTE55-2	R½	G½		10 kW	99°C
HTT55-1	R½	G½	DN15Cn	10 kW	99°C
HT575	R¾	G¾		46 kW	99°C
HTE575-1	R¾	G¾		46 kW	99°C
HTE575-2	R¾	G¾		30 kW	99°C

## Standard Pressure Settings Available (kPa)

Model	500	700	850	1000	1400
HT55	✓	✓	✓	✓	✓
HTE55-1		✓	✓	✓	✓
HTE55-2			✓	✓	✓
HTT55-1		✓	✓	✓	✓
HT575	✓	✓	✓	✓	✓
HTE575-1			✓	✓	✓
HTE575-2			✓	✓	

## Notes

- 1 It is recommended that the easing lever be actuated every six months to prevent accumulation of mineral deposits that may impair valve operation. Lever should be operated smoothly as a sudden influx of water may cause the auxiliary pressure relief device to activate.
- 2 The Drain Line must be compliant with AS/NZS 3500. Failure to provide adequate drainage may result in premature activation of the auxiliary pressure relief device.
- 3 Insulation is available for all Pressure and Temperature Relief Valves.

## Warranty

Reliance Worldwide Corporation (Aust.) Pty. Ltd. (RWC) will either replace or repair any defective goods where the defect arose as a result of manufacture within the warranty period. You may contact RWC at the phone number, address or e-mail shown below for further information or to make a claim.

Visit [www.rmc.com.au/warranty](http://www.rmc.com.au/warranty) to view the warranty statement in full and for further important information.

## Application

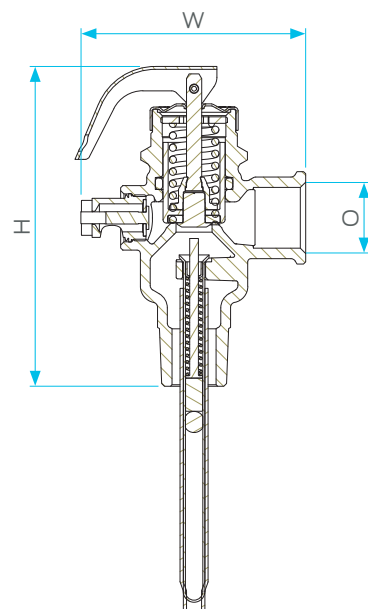
The Pressure and Temperature Relief (P&T Relief) Valve should be installed at the heater. The system inlet pressure should be no higher than 80% of the set pressure of the P&T Relief Valve.

Please ensure that the set pressure of the High Pressure Expansion Control Valve is suitable for use with the water heater it will be installed with. For more information refer to the RMC Valve Application Guide.

## Dimensions

Model	Width (W)	Height (H)	Outlet (O)
HT55	68	98	DN15
HTE55-1	68	121	DN15
HTE55-2	68	144	DN15
HTT55-1	73	121	DN15
HT575	73	99	DN20
HTE75-1	73	121	DN20
HTE75-2	73	144	DN20

Note: All measurements in mm unless otherwise stated.



## Installation

Installation is subject to the requirements of the applicable regulatory authority, the National Construction Code Volume Three – Plumbing Code of Australia, associated reference standards as applicable at the time and AS/NZS 3500.1.